

# Juby Enterprises

Machine Tool Holder and Accessories

## PRECISION DIE & MOULD CHUCK (DMC)

- Small outside diameter.  
Capacity :  
DMC 06 ( 3mm to 6mm )  
DMC 08 ( 3mm to 8mm )  
DMC 10 ( 3mm to 10mm )
- Best suitable for Die & Mould Industry.
- Most suitable for machining of Cavities difficult to reach.
- High Precision  
Runout < 0.005mm (4xd).



### JUBY ENTERPRISES

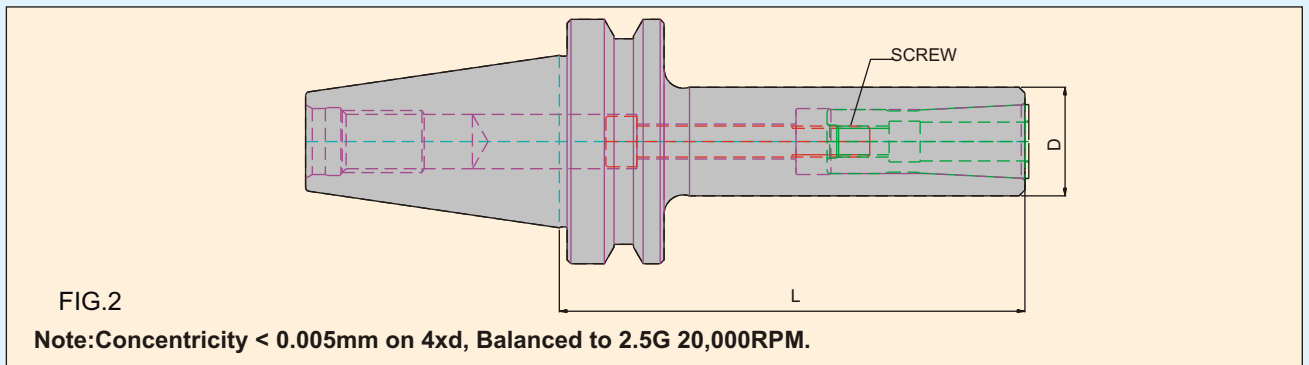
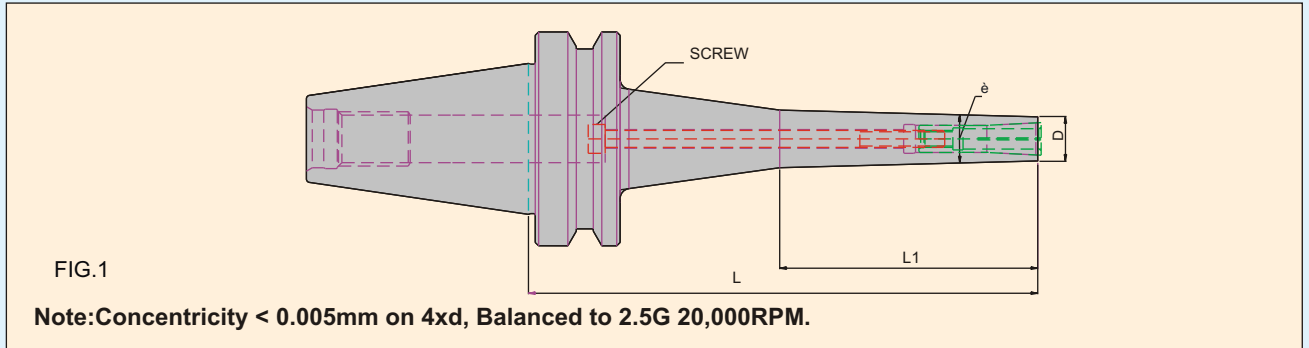
**REGD. OFF.** : S.No-22A, Shop No-4, Vibhawari Apartment, Sahwas Society,  
Near Bhujbal Baug, Karvenagar -411 052. Tel No : 020 - 2543 0016,  
Mobile : +91 - 99700 00801

**BRANCH OFF.** : Flat No-3, Sector No-2, Pritam-Prakash Heights, Indrayani Nagar,  
Bhosari, Pune-411 039. Tel No: 020 -25430016/65230114

E-Mail ID : sales@jubyenterprises.com,  
jubyenterprises@rediffmail.com

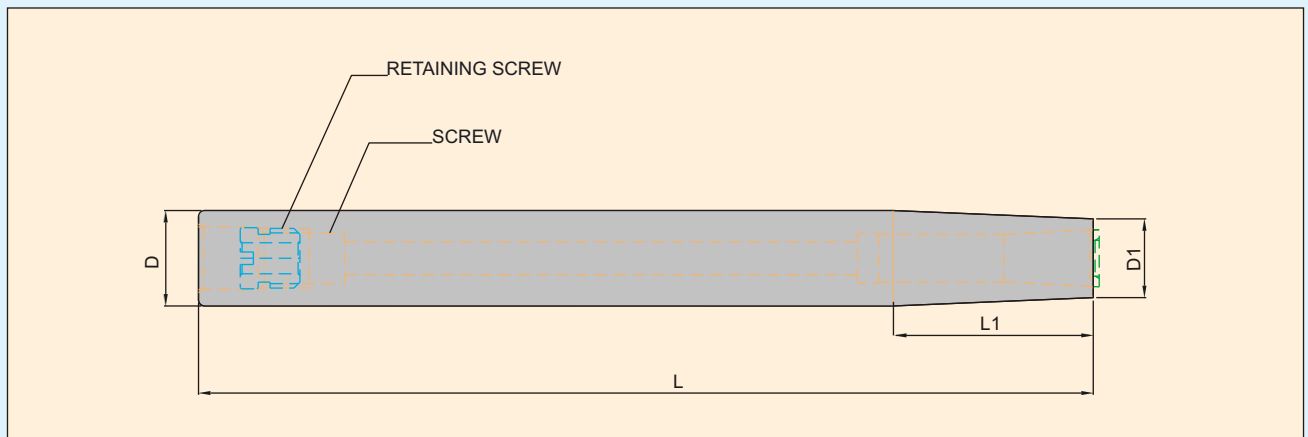
visit us at : [www.jubyenterprises.com](http://www.jubyenterprises.com)

BT 40-DMC(DIE & MOULD CHUCK)



Item Name	Gripping Range	L	L1	D	ε In Degre	Fig.	Collet	Screw
BT 30 DMC 06090	3~6	90	50	13	3	1	DMC 6	M5
BT 40 DMC 06060	3~6	60	26	13	3	1	DMC 6	M5
BT 40 DMC 06090	3~6	90	45	13	3	1	DMC 6	M5
BT 40 DMC 06120	3~6	120	60	13	3	1	DMC 6	M5
BT 40 DMC 06150	3~6	150	76	13	3	1	DMC 6	M5
BT 40 DMC 08090	3~8	90	53	22	3	1	DMC 8	M6
BT 40 DMC 08120	3~8	120	65	22	3	1	DMC 8	M6
BT 40 DMC 10090	3~10	90	51	28	-	2	DMC 10	M8
BT 40 DMC 10120	3~10	120	60	28	-	2	DMC 10	M8
BT 50 DMC 10150	3~10	150	75	28	-	2	DMC 10	M8

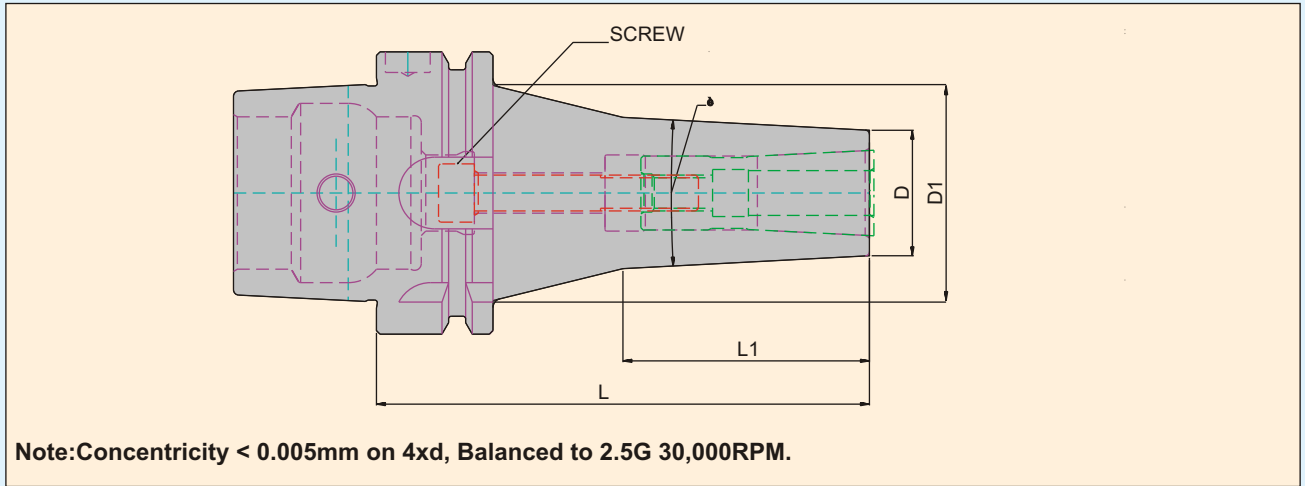
CYLINDRICAL CHUCKS(DIE & MOULD CHUCK)



Item Name	L	L1	D	D1	ε in Degree	Screw
Cyl.12 DMC 06120	120	40	12	13	-	M5
Cyl.16 DMC 06150	150	38	16	13	3	M5
Cyl.20 DMC 06200	200	70	20	13	3	M5
Cyl.25 DMC 06250	250	115	25	13	3	M5
Cyl.20 DMC 08150	150	28	20	19	2	M6
Cyl.20 DMC 08200	200	28	20	19	2	M6
Cyl.25 DMC 10150	150	28	25	24	2	M8
Cyl.25 DMC 10200	200	28	25	24	2	M8
Cyl.25 DMC 10250	250	28	25	24	2	M8

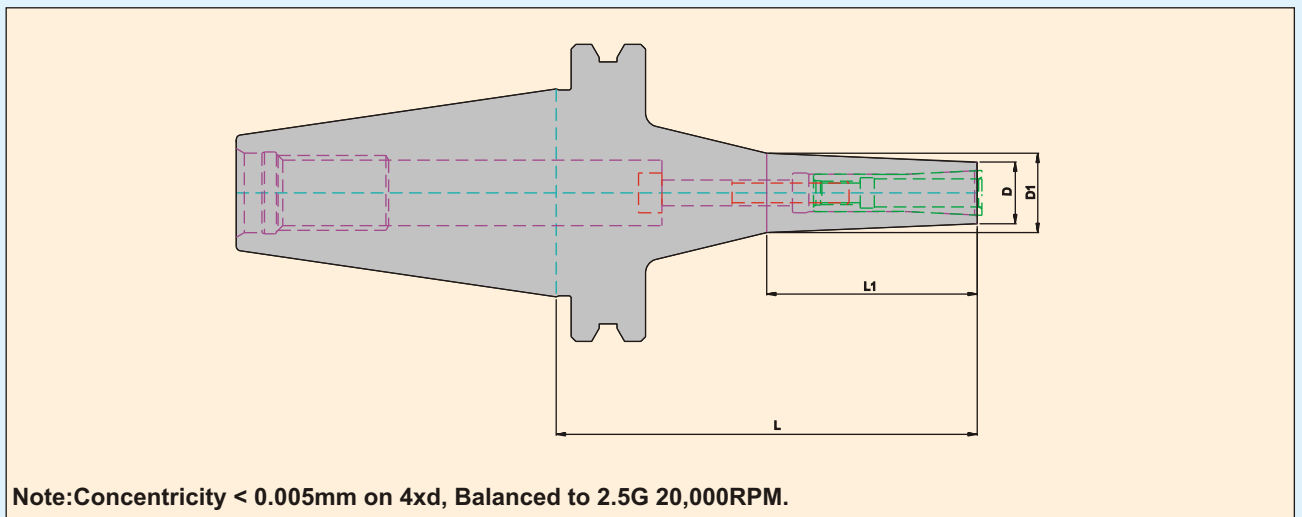


## DIN 69893 HSK FORM( DIE & MOULD CHUCK)



Item Name	L	L1	D	D1	è in DEGREE	Screw
HSK 50A-DMC 06075	75	34	13	-	6	M5
HSK 50A-DMC 08100	100	58	22	48	6	M6
HSK 50A-DMC 10110	110	55	28	48	-	M8
HSK 63A-DMC 06075	75	34	13	-	6	M5
HSK 63A-DMC 06095	95	45	13	46	6	M5
HSK 63A-DMC 06120	120	53	13	48	6	M5
HSK 63A-DMC 06150	150	80	13	45	6	M5
HSK 63A-DMC 08100	100	58	22	48	6	M6
HSK 63A-DMC 10110	110	55	28	48	-	M8

## DIN 69871(DIE & MOULD CHUCK)



Item Name	L	L1	D	D1	Screw
SK 40 DMC 06060	60	25	13	16.00	M5
SK 40 DMC 06090	90	48	13	18.00	M5
SK 40 DMC 06120	120	62	13	19.00	M5
SK 40 DMC 06150	150	88	13	22.00	M5
SK 40 DMC 08090	90	71	22	29.50	M6
SK 40 DMC 08120	120	70	22	29.50	M6
SK 40 DMC 10090	90	-	28	-	M8
SK 40 DMC 10120	120	-	28	-	M8

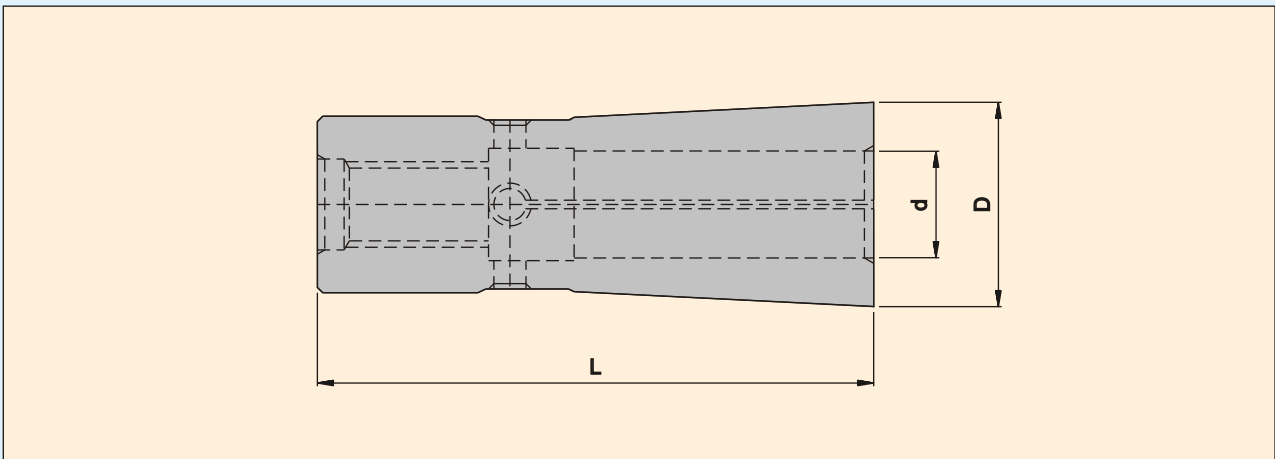


## PRECISION DIE & MOULD CHUCK (DMC)



Note : Required key & spanner will be provided along with the holder.

### DMC COLLET



Collet Description	'd'	'L'mm	'D'mm
DMC 06..	3.0,4.0,5.0,6.0	36	9.60
DMC 08..	3.0,4.0,5.0,6.0,7.0,8.0	45	15.00
DMC 10..	3.0,4.0,5.0,6.0,7.0,8.0,9.0,10	52	19.10

Ordering Example: Collet DMC 0603= 2Nos.

DEALERS: