

Juby Enterprises

Machine Tool Holder and Accessories

H Y D R A U L I C C H U C K
A N D R E D U C T I O N S L E E V E S



JUBY ENTERPRISES

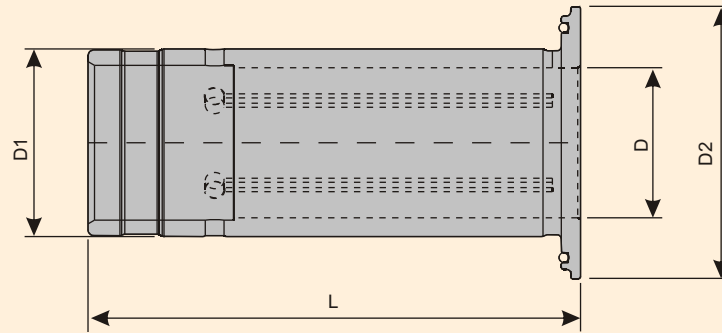
REGD. OFF. : S.No-22A, Shop No-4, Vibhawari Apartment, Sahwas Society,
Near Bhujbal Baug, Karvenagar -411 052. Tel No : 020 - 2543 0016,
Mobile : +91 - 99700 00801

BRANCH OFF. : Flat No-3, Sector No-2, Pritam-Prakash Heights, Indrayani Nagar,
Bhosari, Pune-411 039. Tel No: 020 -25430016/65230114

E-Mail ID : sales@jubyenterprises.com,
jubyenterprises@rediffmail.com

visit us at : www.jubyenterprises.com

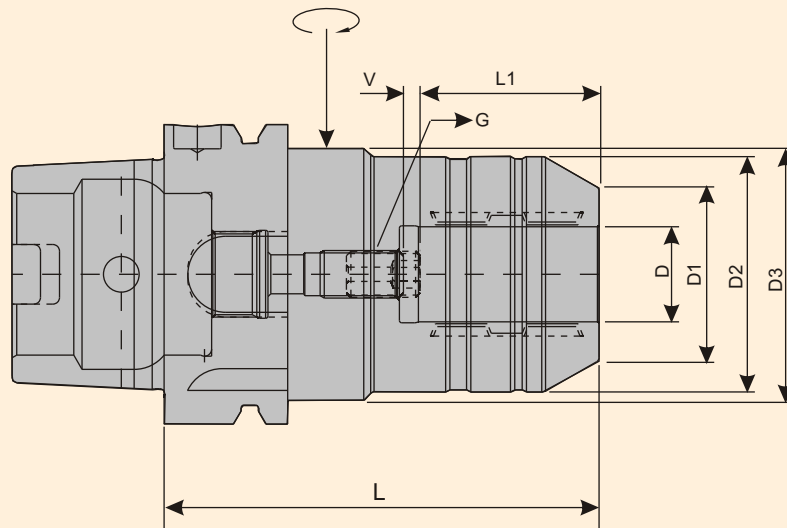
REDUCTION SLEEVE



Note : Concentricity of O.D. to I.D. < 0.005mm

ARTICAL NO	D	D1	D2	L
RS20X03	3	20	29	52.5
RS20X04	4	20	29	52.5
RS20X05	5	20	29	52.5
RS20X06	6	20	29	52.5
RS20X07	7	20	29	52.5
RS20X08	8	20	29	52.5
RS20X09	9	20	29	52.5
RS20X10	10	20	29	52.5
RS20X11	11	20	29	52.5
RS20X12	12	20	29	52.5
RS20X13	13	20	29	52.5
RS20X14	14	20	29	52.5
RS20X15	15	20	29	52.5
RS20X16	16	20	29	52.5
RS32X06	06	32	39	63.5
RS32X07	07	32	39	63.5
RS32X08	08	32	39	63.5
RS32X09	09	32	39	63.5
RS32X10	10	32	39	63.5
RS32X11	11	32	39	63.5
RS32X12	12	32	39	63.5
RS32X13	13	32	39	63.5
RS32X14	14	32	39	63.5
RS32X15	15	32	39	63.5
RS32X16	16	32	39	63.5
RS32X17	17	32	39	63.5
RS32X18	18	32	39	63.5
RS32X19	19	32	39	63.5
RS32X20	20	32	39	63.5
RS32X21	21	32	39	63.5
RS32X22	22	32	39	63.5
RS32X23	23	32	39	63.5
RS32X24	24	32	39	63.5
RS32X25	25	32	39	63.5

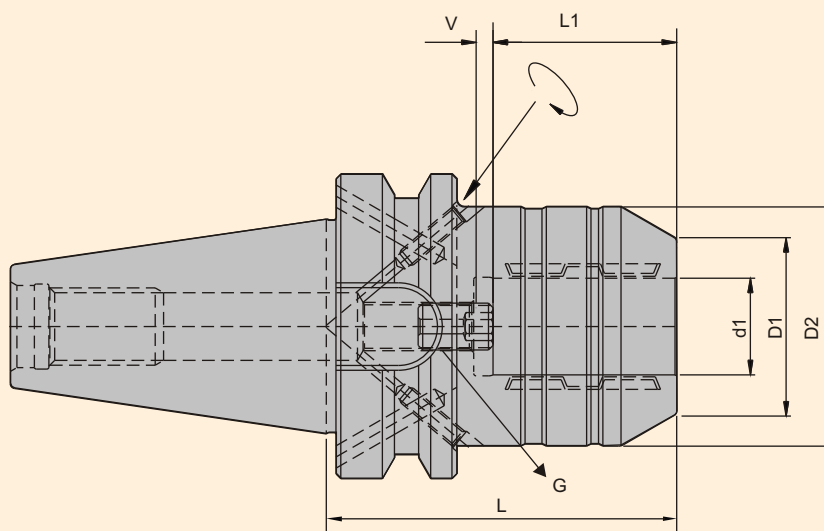
HYDRAULIC CHUCK



Concentricity < 0.005 mm on 2 x d, Balanced to 2.5G 20,000 RPM

CODE NO.	D	D1	D2	D3	L	L1	V	G
HSK-A 50 HC20-90.0	20	38	42	50	90	42.0Min	10	M16X1
HSK-A 63 HC20-91.5	20	38	42	50	91.5	42.0Min	10	M16X1
HSK-A 100 HC20-105	20	38	42	50	105	42.0Min	10	M16X1

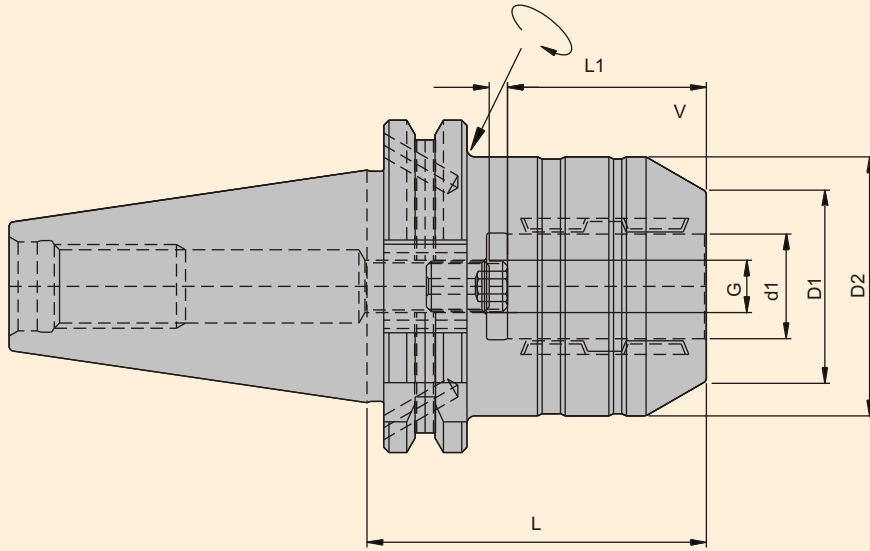
BT 40 HYDROGRIP



Concentricity < 0.005 mm on 2 x d, Balanced to 2.5G 20,000 RPM

CODE NO.	d1	D1	D2	L	L1	V	G
BT30-HC20S-85	20	41	44	85	42	10	M10X1.0
BT40-HC20S-72.5	20	36	49.5	72.5	42	10	M10X1.0
BT50-HC32S-90	32	55	72	90	55	10	M16X1.0

CT 40 HYDRØGRIP



Concentricity < 0.005 mm on 2 x d, Balanced to 2.5G 20,000 RPM

CODE NO.	d1	D1	D2	L	l2	V	G
SK40-HC20S-64.5	20	36	49.5	64.5	42	10	M10X1.0
SK50-HC32S-81	32	55	72	81	55	10	M16X1.0

DEALER :-